

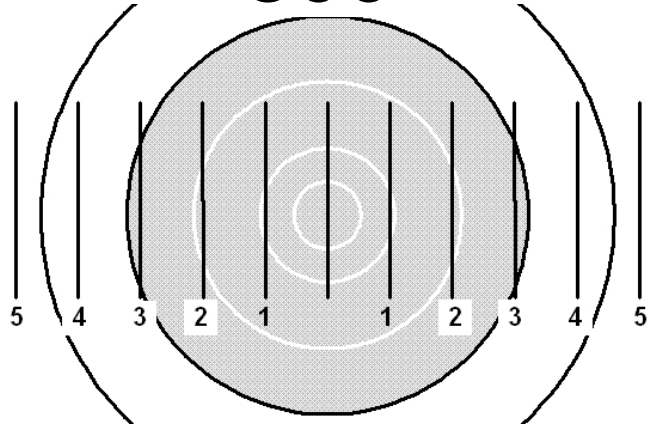
How to use the Wind Gauge

1. Identify which flag is appropriate,
2. Identify the flag circle associated with the flag. The colours of the numbers next to the flag match the circle colour.
3. Follow the flag circle around to intersect the direction line.
4. At the intersection point read off which concentric windage circle is closest.

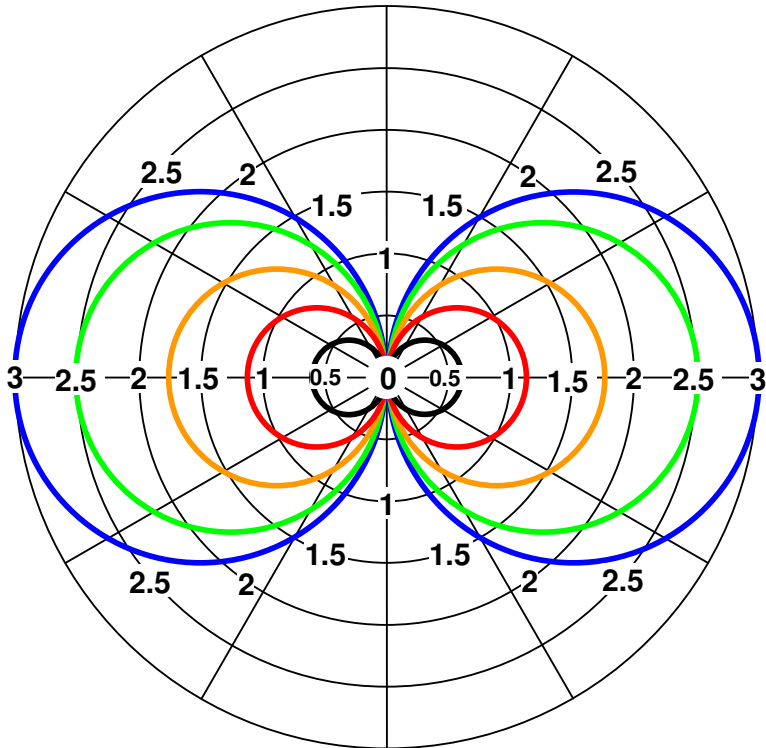
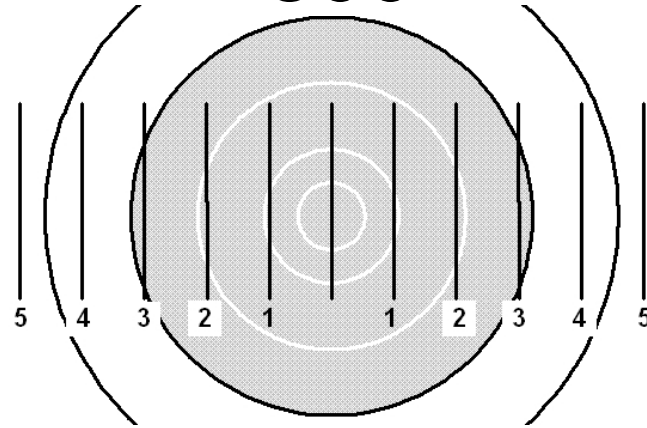
The Target on each sheet shows the true minutes (1.046 inches per 100yds) across the target from the centre of the bull. These are the latest ICFRA targets.

Note: This Wind Gauge is based on the results from the old circular Parker Hale Wind Computer. I have slightly massaged them to smooth them out over the wind range as it was obvious that someone had rounded the numbers a little bit.

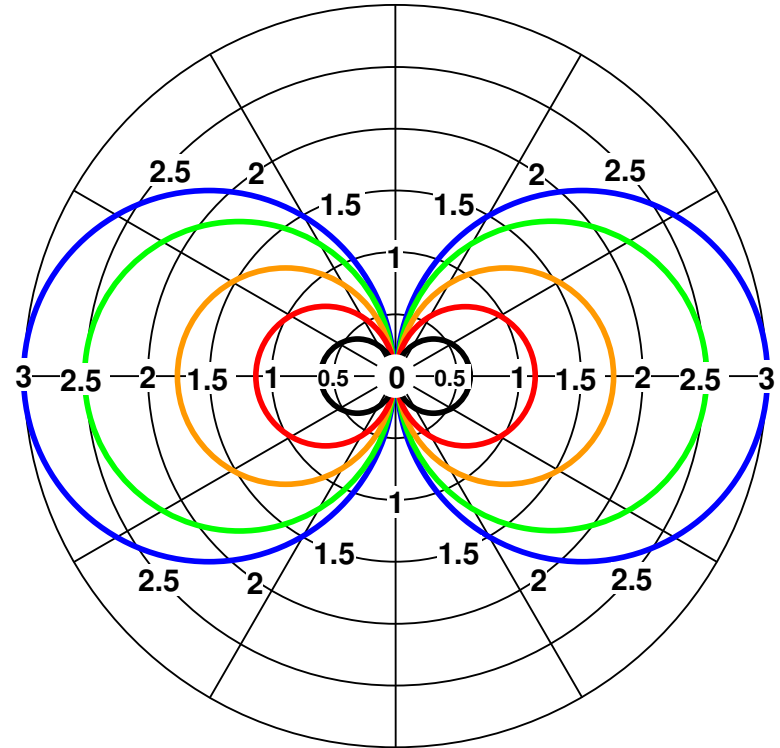
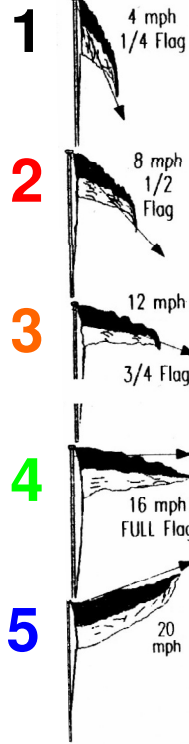
300



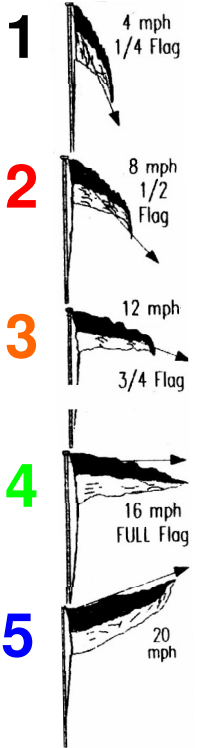
300



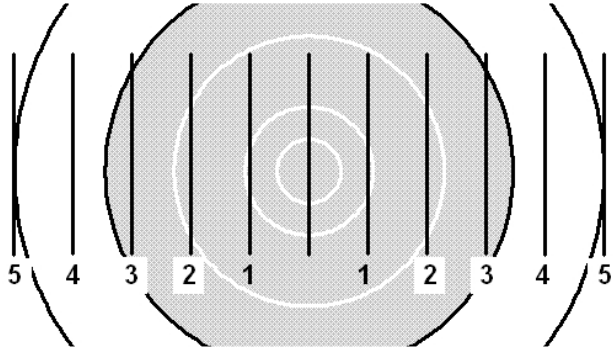
© Ross Mason 2010



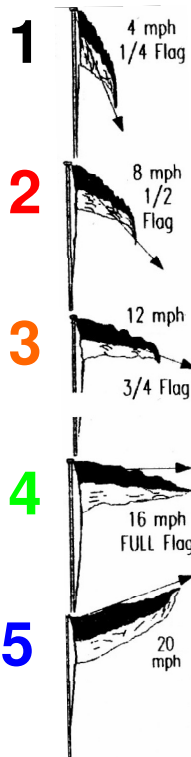
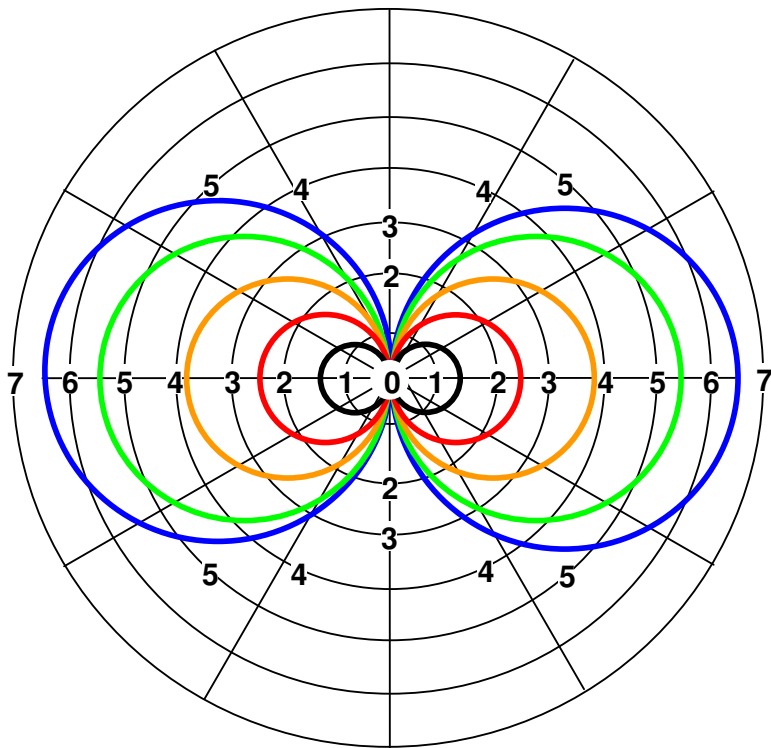
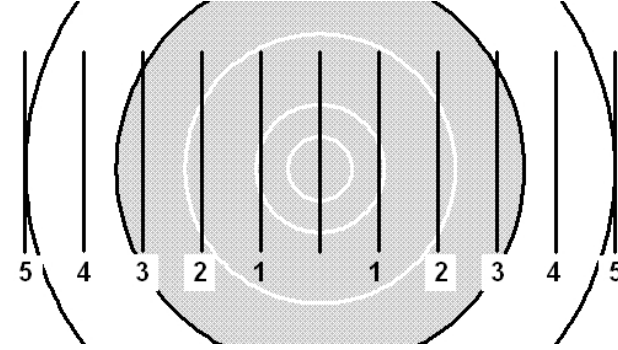
© Ross Mason 2010



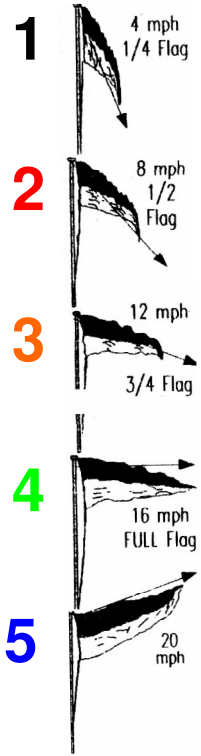
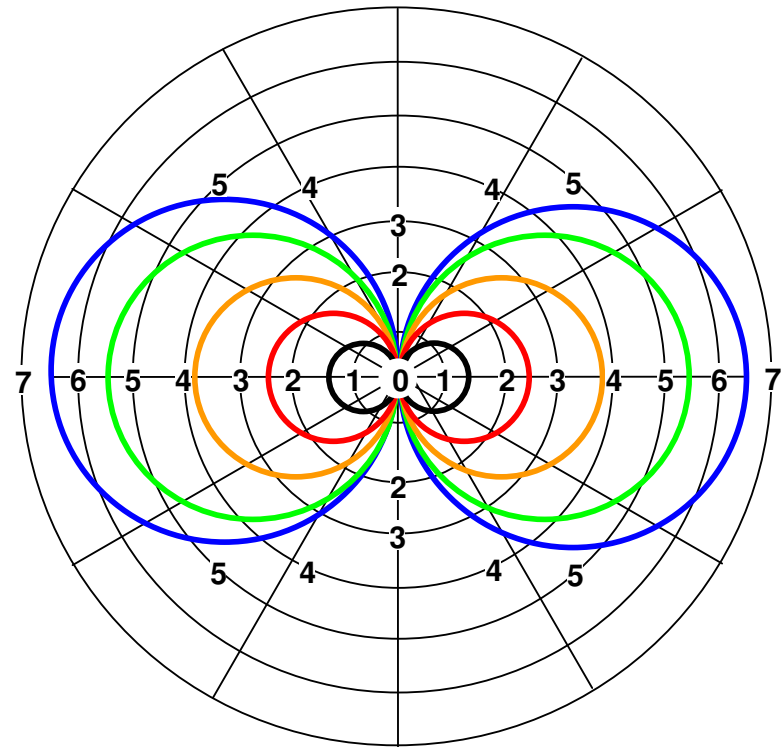
500



500

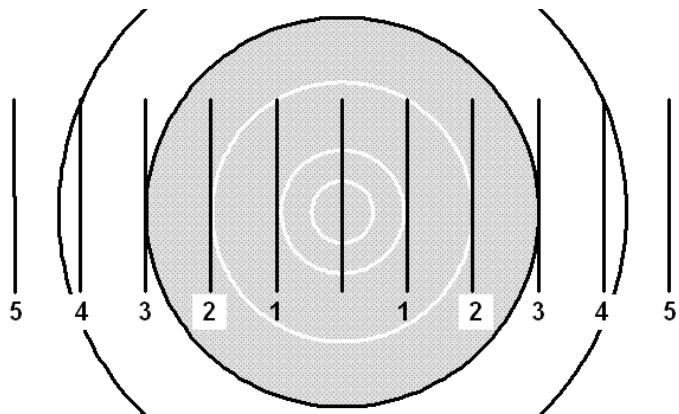


© Ross Mason 2010

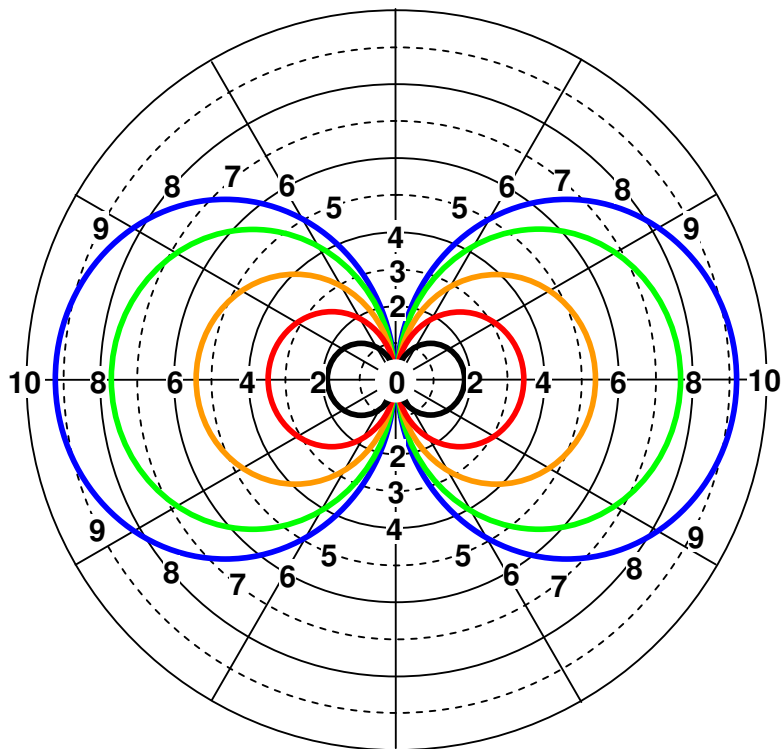
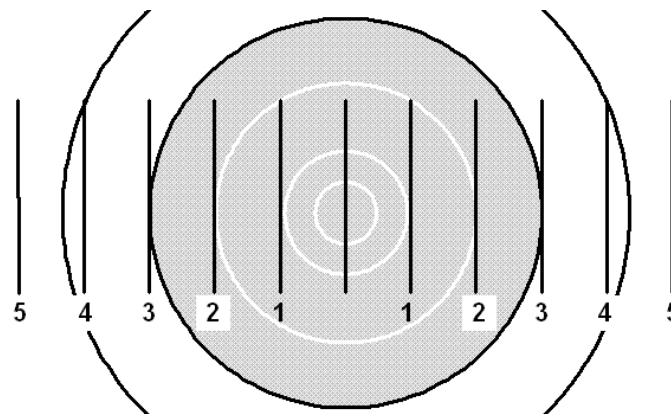


© Ross Mason 2010

600

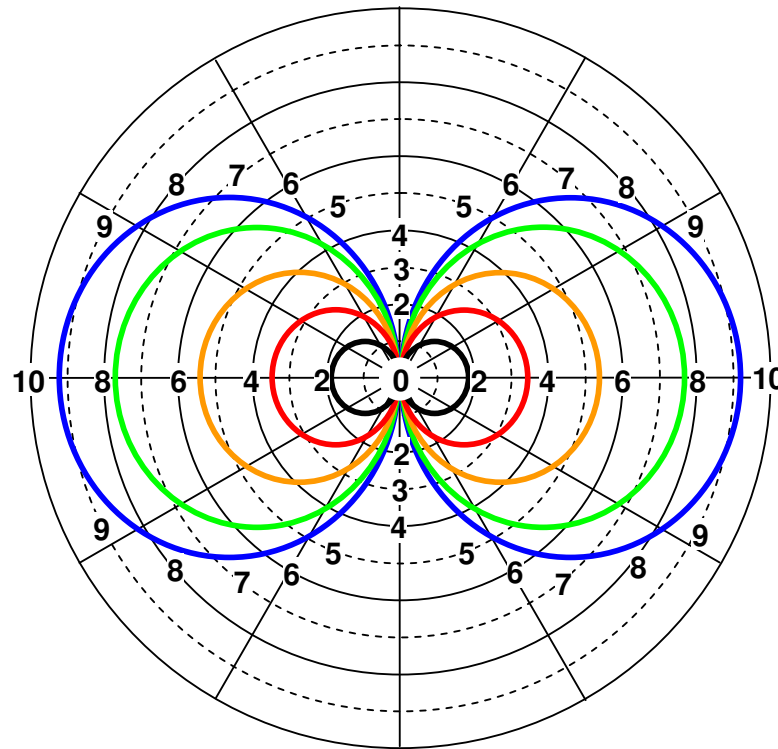


600



- 1** 4 mph
1/4 Flag
- 2** 8 mph
1/2 Flag
- 3** 12 mph
3/4 Flag
- 4** 16 mph
FULL Flag
- 5** 20 mph

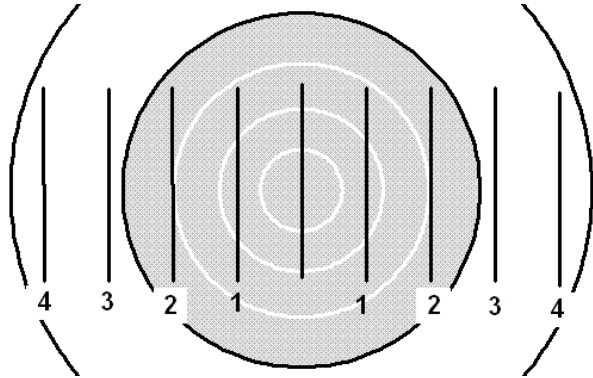
© Ross Mason 2010



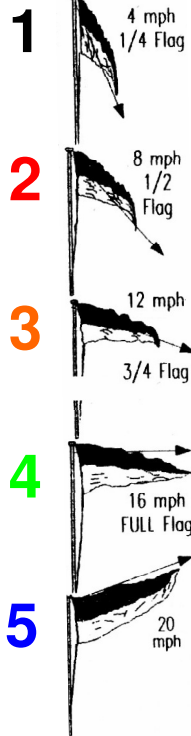
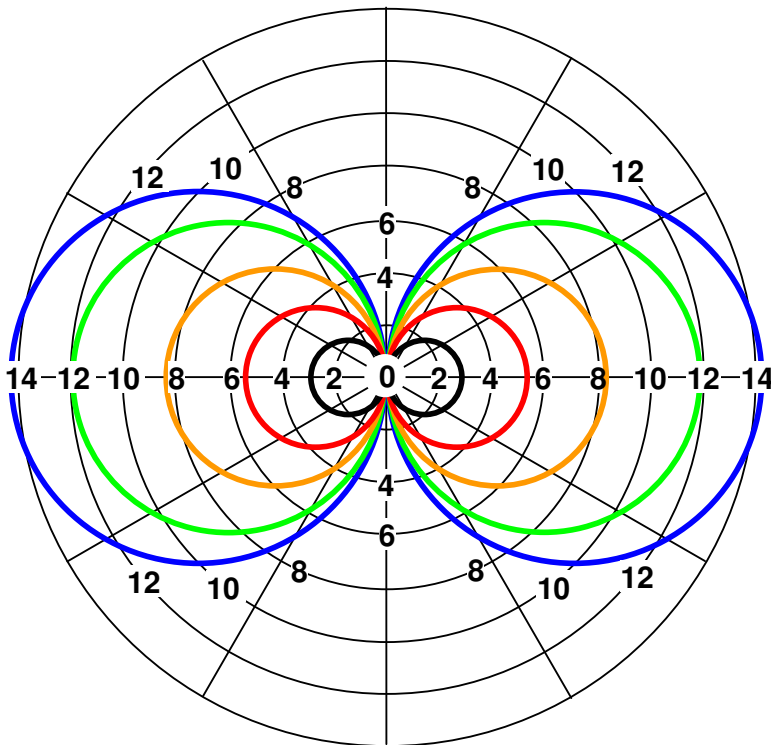
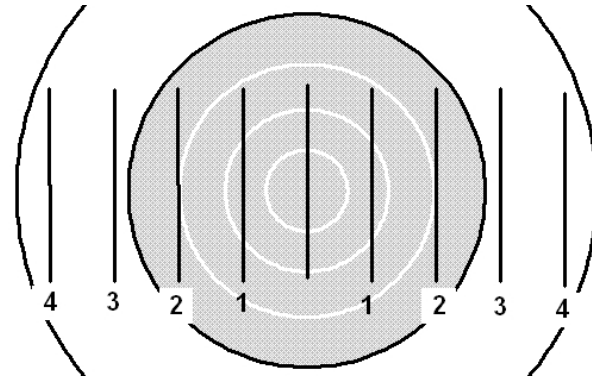
- 1** 4 mph
1/4 Flag
- 2** 8 mph
1/2 Flag
- 3** 12 mph
3/4 Flag
- 4** 16 mph
FULL Flag
- 5** 20 mph

© Ross Mason 2010

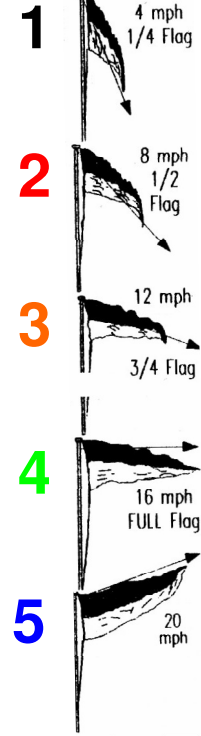
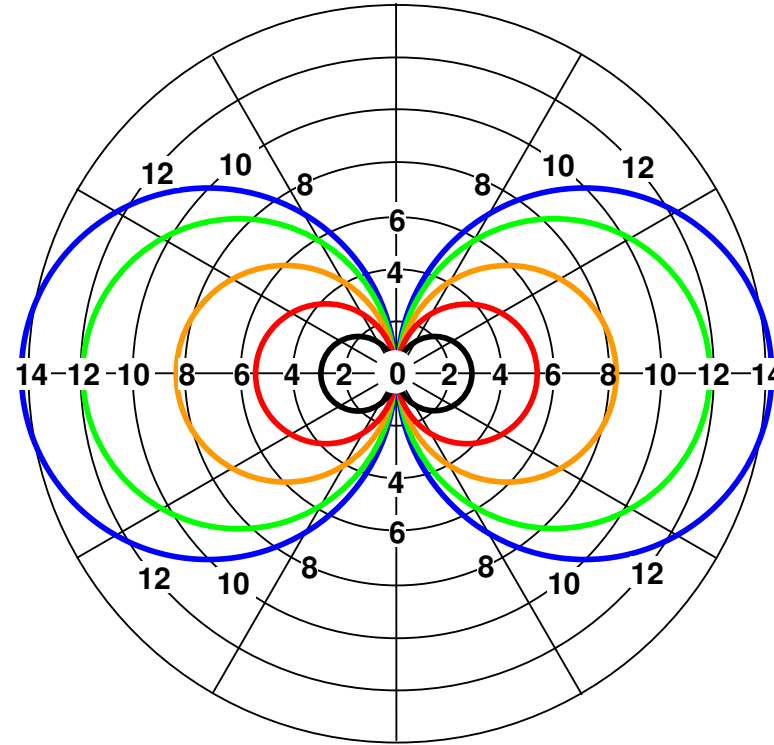
800



800

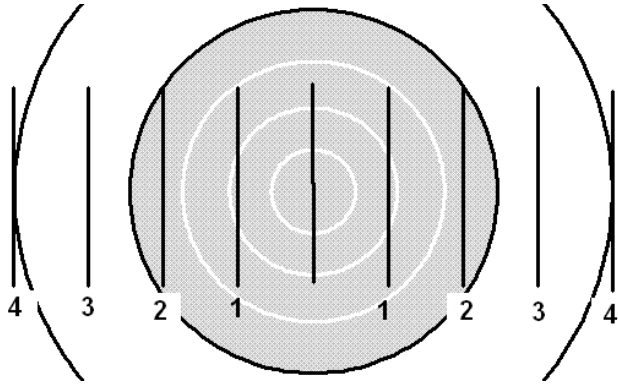


© Ross Mason 2010

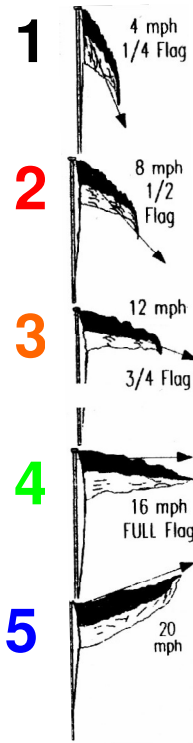
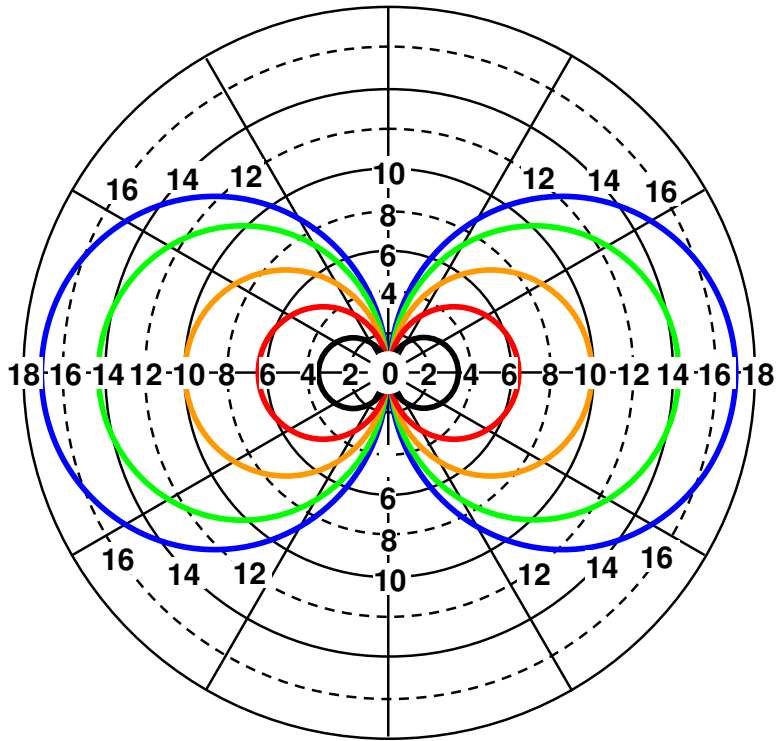
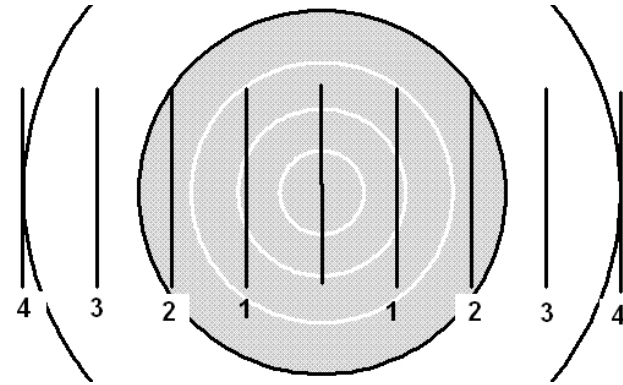


© Ross Mason 2010

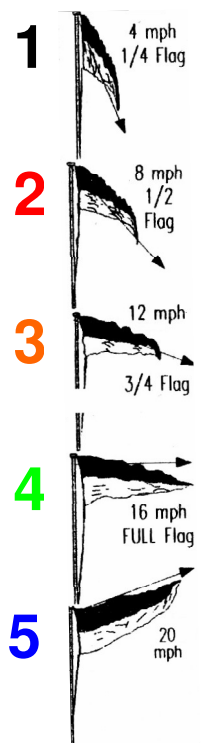
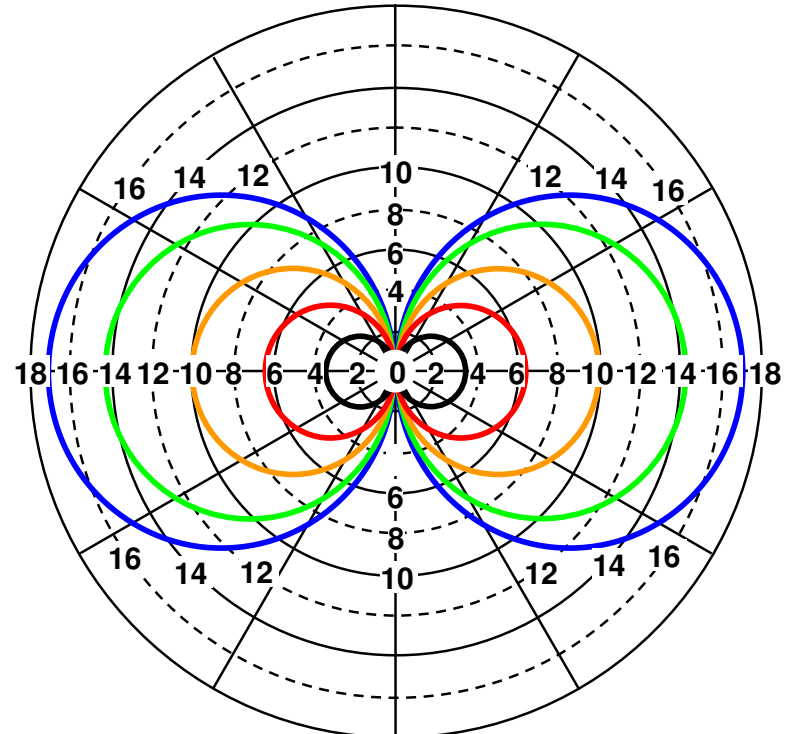
900



900

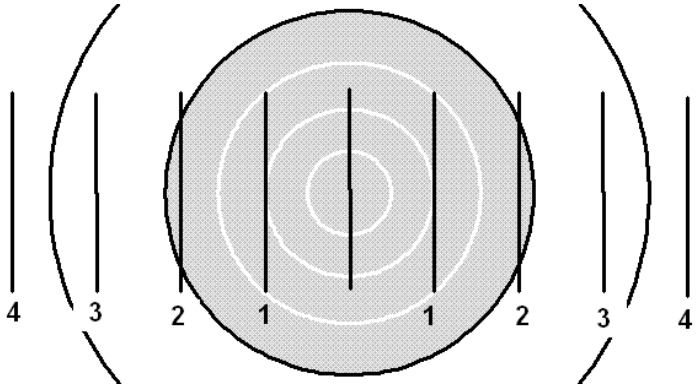


© Ross Mason

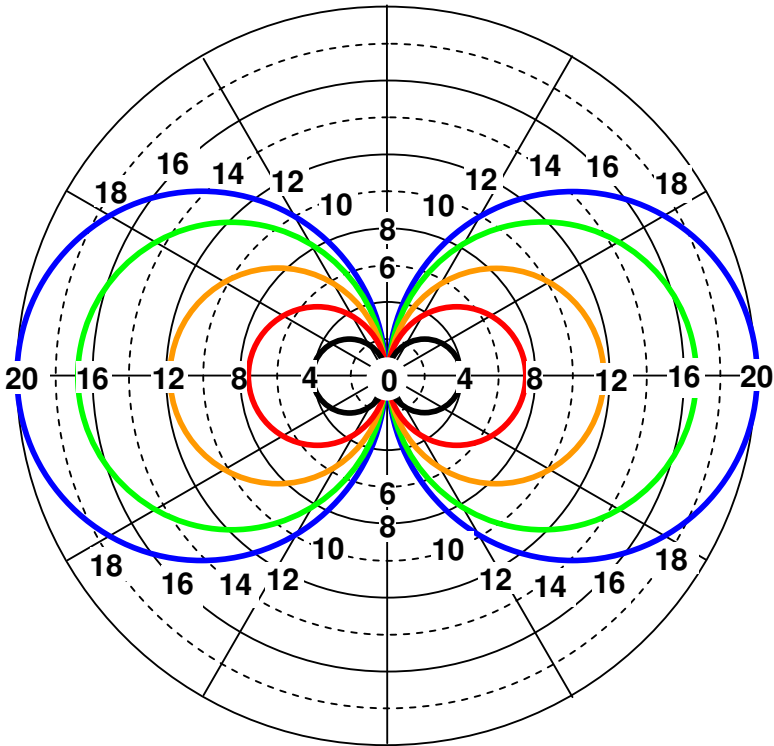
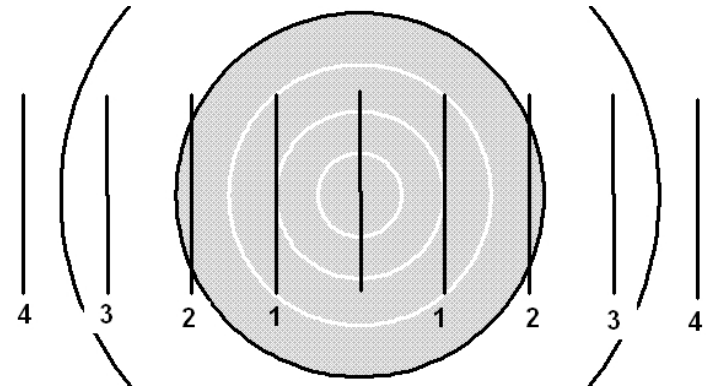


© Ross Mason

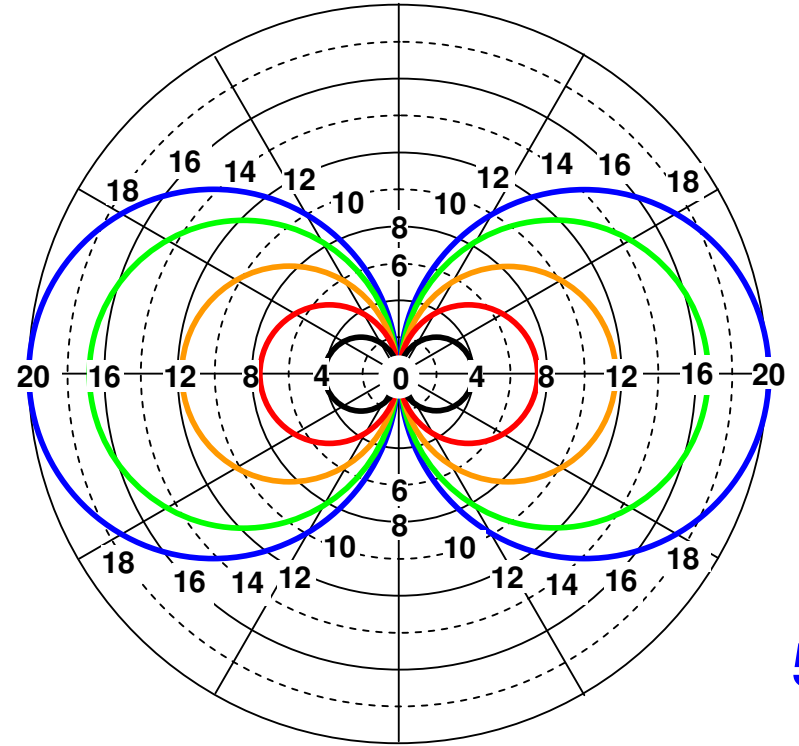
1000



1000



© Ross Mason 2010



© Ross Mason 2010